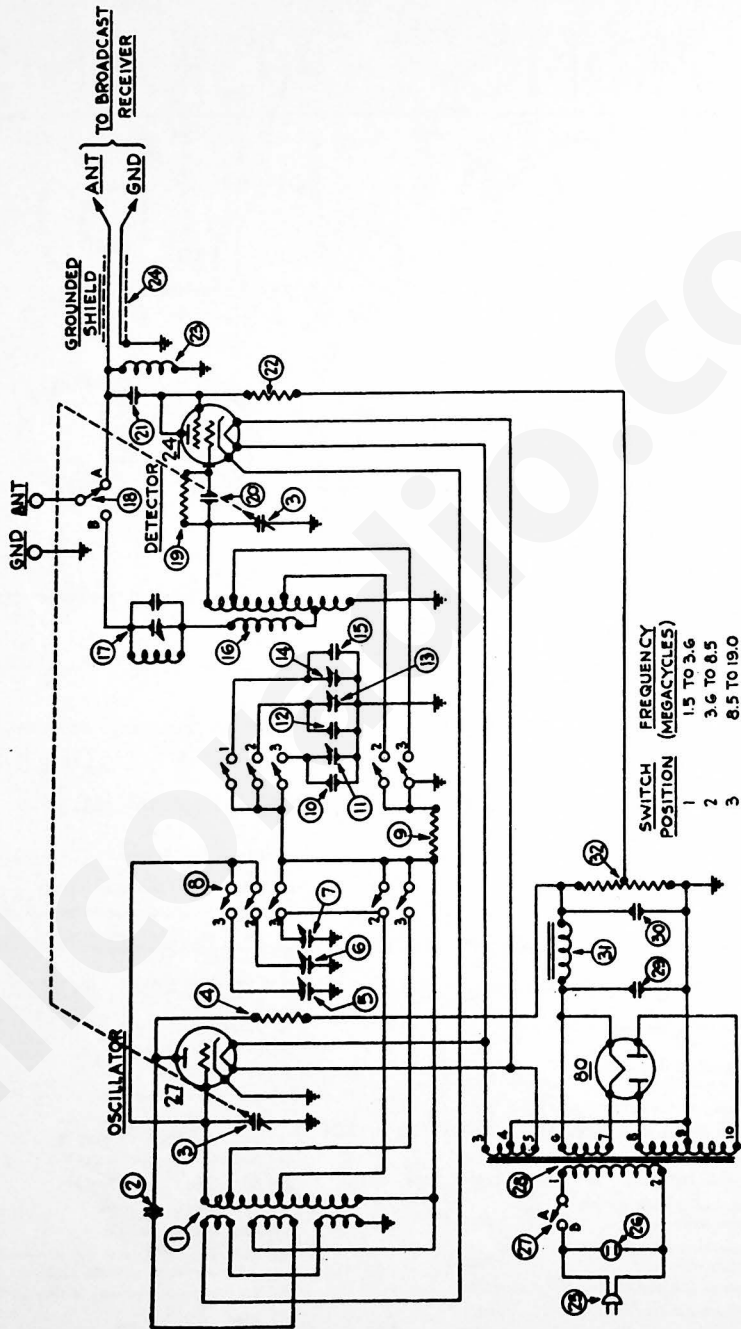
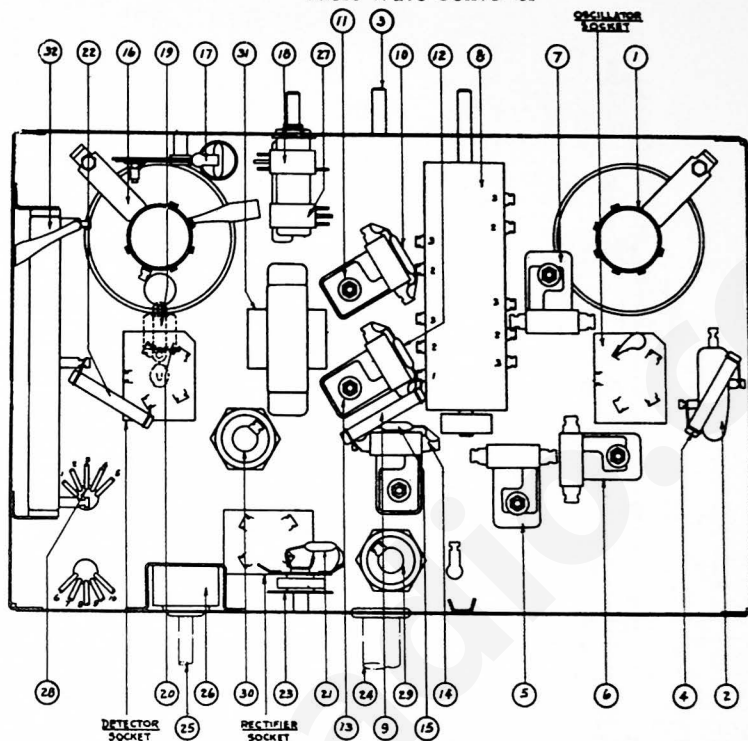


MODEL 4 AND 4 C



MODEL 4 AND 4C Short Wave Converter



REPLACEMENT PARTS MODELS 4 AND 4C

No. on Figs. 1 and 2	Description	Part No.
①	Oscillator Coil	03734*
②	By-pass condenser (.05 mfd.)	3615-M
③	Gang condenser	03692
④	Resistor (13,000 ohms)	3766
⑤	Compensating condenser (19 MC end of top scale)	04000-E
⑥	Compensating condenser (8.5 MC end of center scale)	04000-E
⑦	Compensating condenser (3.6 MC end of bottom scale)	04000-E
⑧	Frequency control switch	03751
⑨	Resistor (240,000 ohms)	3768
⑩	Condenser (1800 mmf.)	6018
⑪	Condenser (800 mmf.)	5878
⑫	Compensating condenser (3.6 MC end of center scale)	04000-F
⑬	Compensating condenser (1.5 MC end of bottom scale)	04000-F
⑭	Condenser (250 mmf.)	3082
⑮	Detector transformer	03734*
⑯	Frequency filter	03662

No. on Figs. 1 and 2	Description	Part No.
ⓐ	Antenna switch (assembled with 27)	5796
ⓑ	Resistor (2 Megohms) assembled with (20)	03879
ⓒ	Condenser (110 mmf.) assembled with (19)	03879
ⓓ	Condenser (250 mmf.)	3082
ⓔ	Resistor (99,000 ohms)	3767
ⓕ	R. F. choke	03893
ⓖ	Shielded cable	L-1278
ⓗ	Power cord and plug	L-943-A
ⓓ	Outlet receptacle	5430
ⓓ	"On-Off" switch (assembled with 18)	5796
ⓓ	Power transformer—50-60 cycles	5785
	25-40 cycles	5786
ⓓ	Electrolytic condenser (6 mfd.)	4916
ⓓ	Electrolytic condenser (6 mfd.)	4916
ⓓ	Filter choke (50-60 cycles)	4951
	Filter choke (25-40 cycles)	5830
ⓓ	B.C. resistor (4750 each side of center, 50-60 cycles)	5783
	Resistor (two 32,000 ohms), 25-40 cycles	3525
	Basel	5175
	Cabinet	40800

*Includes matched oscillator coil and detector transformer.